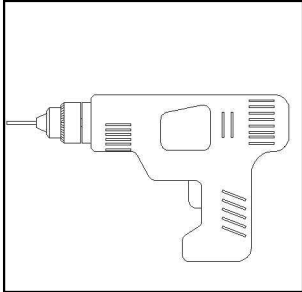


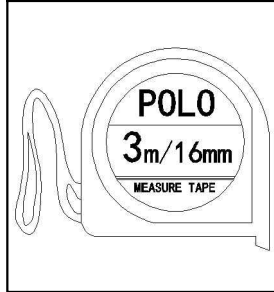
360° Spiral Wardrobe Clothes Rack

WARDROBE ACCESSORIES >>CLOTHES RACK >>INSTALLATION INSTRUCTIONS

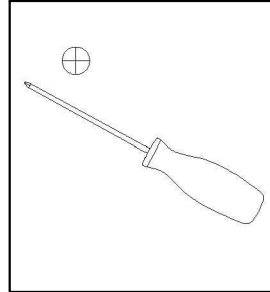
PREPARATION



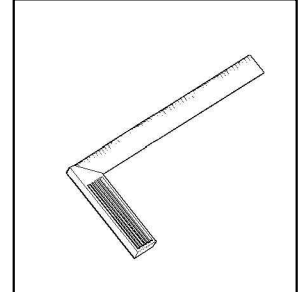
ELECTRIC DRILL



TAPE



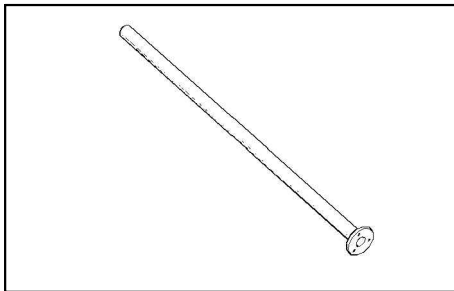
PHILLIPS DRIVER



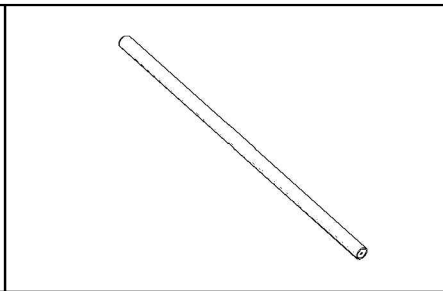
SQUARE

◆ Please prepare the above tools before installation.

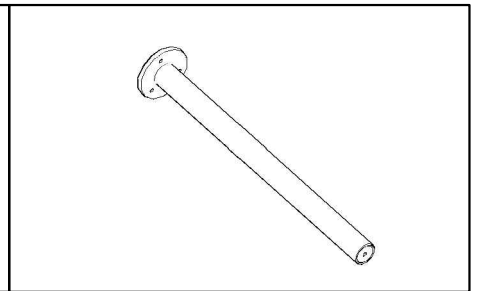
MATERIALS



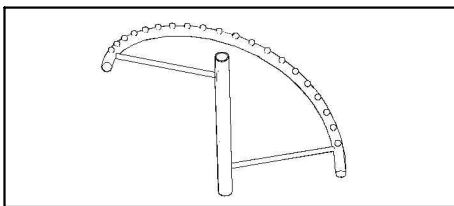
① Bottom-support tube (1 pc)



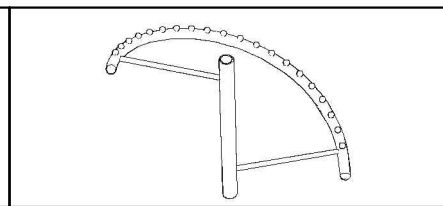
② Mid-support tube (1 pc)



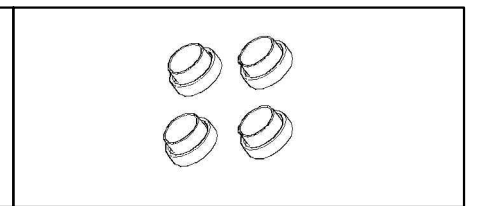
③ Top-support tube (1 pc)



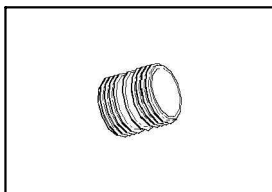
④ Under spiral rack (1 pc)



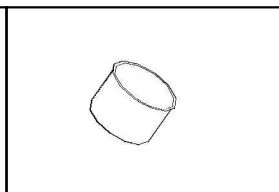
⑤ Upper spiral rack (1 pc)



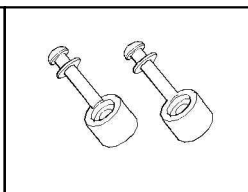
⑥ Plastic connection collars (4 pcs)



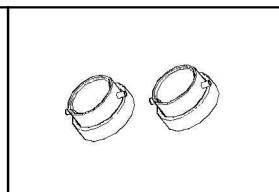
⑦ Double-end bolt connector (1 pc)



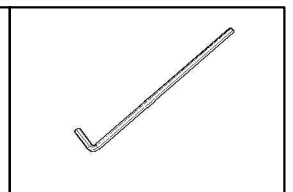
⑧ Stainless steel connector (1 pc)



⑨ Bearing sets (2 pcs)



⑩ Fixators (2 pcs)



⑪ Allen wrench (1 pc)



BETTER VENACE, ELEGANT LIFE

www.venace.com

- ◆ Factory Supply
- ◆ Rapid Shipment
- ◆ Reasonable Price

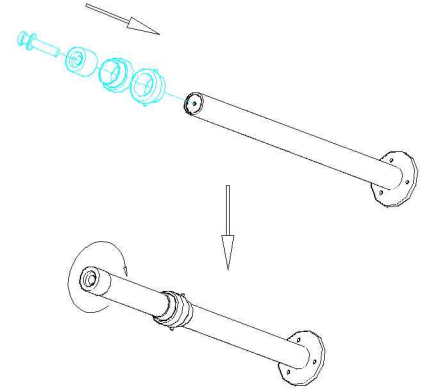
- ◆ TÜV Certificate
- ◆ SGS Certificate
- ◆ APICS Certificate

360° Spiral Wardrobe Clothes Rack

WARDROBE ACCESSORIES >> CLOTHES RACK >> INSTALLATION INSTRUCTIONS

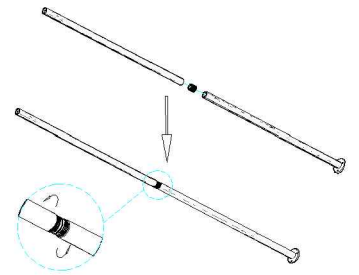
STEP. 1

Connect fixators (minor dia. side adown) and plastic connection collars in turn plastic connection collars (minor dia. side upwards) with the top-support tube in turn, then screw bearing sets into top-support tube with Phillips drive. (Note: ensure the bearing sets to be rotated easily). Shown as the figure.



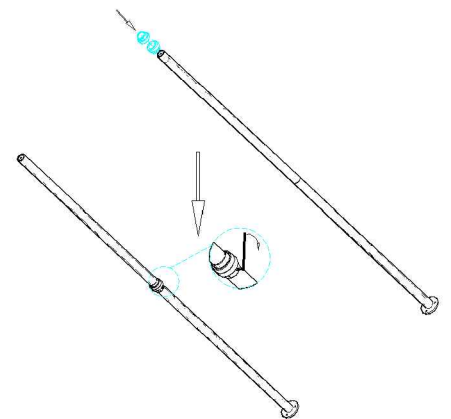
STEP. 2

Connect bottom-support tube and mid-support tube by double-end bolt connector. Shown as the figure.



STEP. 3

Put fixators (minor dia. side adown) and plastic connection collars (minor dia. side upwards) in turn to the tube in step 2, screw the hexagonal head bolt on fixators with allen wrench at an applicable position of bottom-support tube. Shown as the figure.

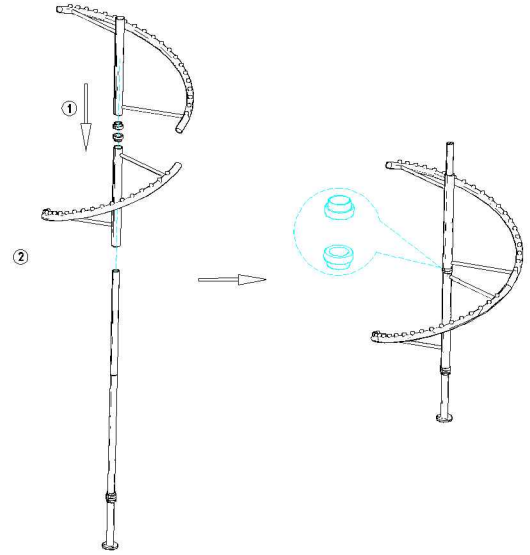


360° Spiral Wardrobe Clothes Rack

WARDROBE ACCESSORIES >> CLOTHES RACK >> INSTALLATION INSTRUCTIONS

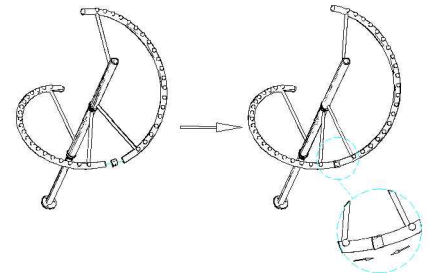
STEP. 4

Put under spiral rack, 2 pcs plastic connection collars (minor dia. side adown, minor dia. side upwards) and upper spiral rack in turn onto the tube in step 3. Shown as the figure.



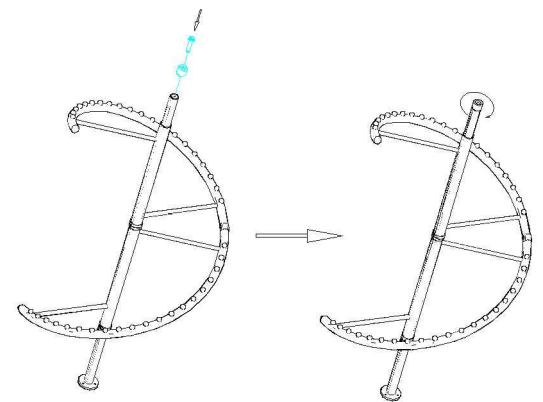
STEP. 5

Connect under spiral rack with upper spiral rack by stainless steel connector. Shown as the figure.



STEP. 6

Screw bearing sets at the top of the middle support tube which had been semi-finished in step 5 (Note: ensure the bearing set to be rotated easily). Shown as the figure.

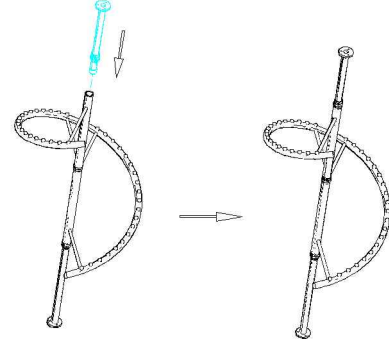


360° Spiral Wardrobe Clothes Rack

WARDROBE ACCESSORIES >> CLOTHES RACK >> INSTALLATION INSTRUCTIONS

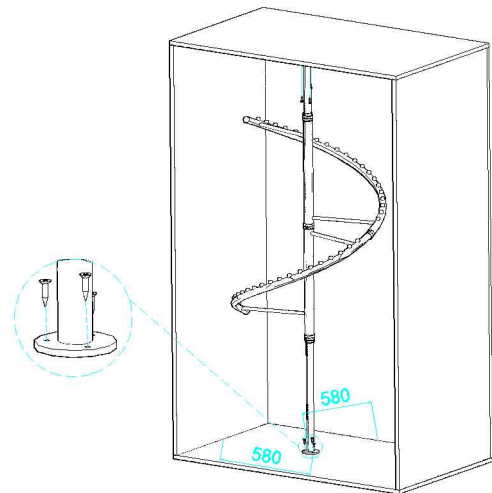
STEP. 7

Connect the top support tube finished in step 1 with the semi-assembled part in step 6, then the product assembly finished. Shown as the figure.



STEP. 8

Mark installation position in the cabinet as per instruction, put the well-assembled spiral clothes rack in the right place. Firstly fix the bottom with screws, then adjust the top support tube to an applicable height and fasten the tube with screws. Shown as below figure.



STEP. 9

Unscrew fixators on the bottom tube and adjust the clothes rack to a proper position, then re-fasten the fixators. Rotate the rack back and forth for trial, then done.

