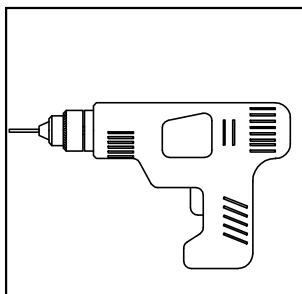


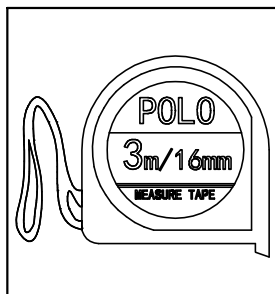
# Pull Out Wardrobe Shoes Rack -- EA Series

WARDROBE ACCESSORIES >>SHOES RACK >>INSTALLATION INSTRUCTIONS

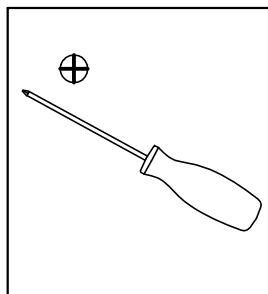
## PREPARATION



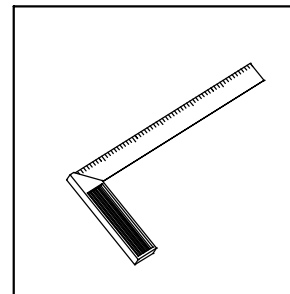
ELECTRIC DRILL



TAPE



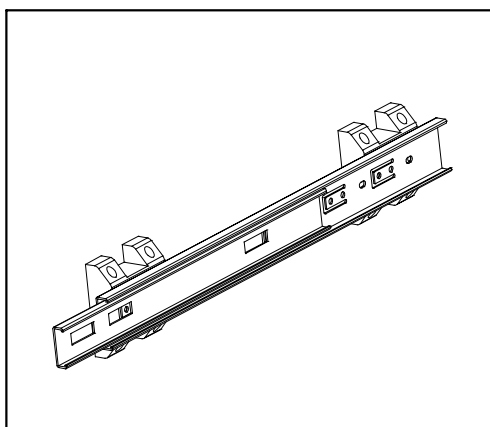
PHILLIPS DRIVER



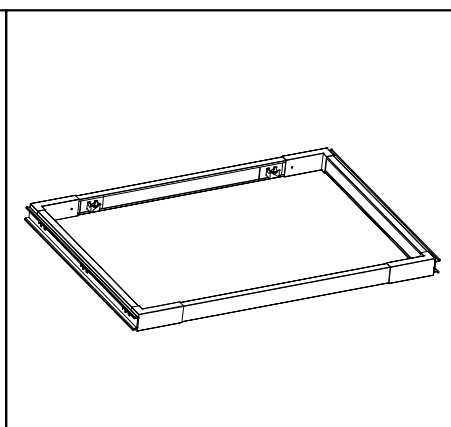
SQUARE

◆ Please prepare the above tools before installation.

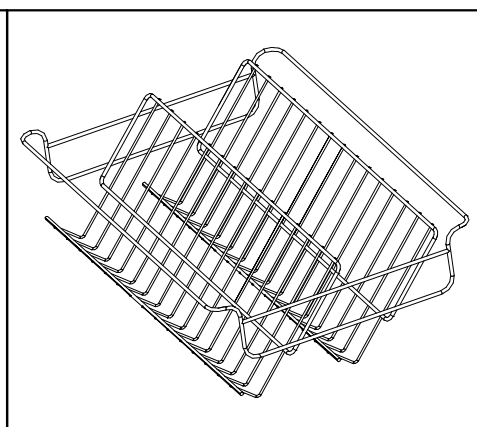
## MATERIALS



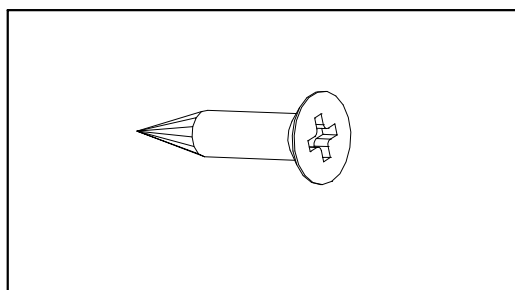
① EA Slide Outer Rail(2pcs, with base)



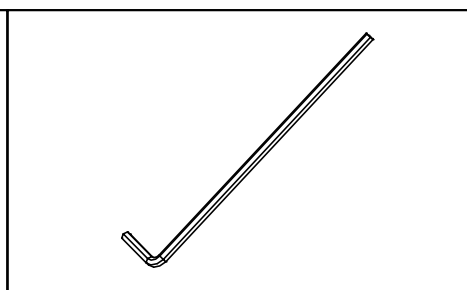
② EA Frame(1 set, with support)



③ EA Pull Out Shoes Rack(1pc)



④ 4\*20 Phillips Screw (16pcs)



⑤ Allen Wrench(1pc)



BETTER VENACE, ELEGANT LIFE

[www.venace.com](http://www.venace.com)

- ◆ Factory Supply
- ◆ Rapid Shipment
- ◆ Reasonable Price

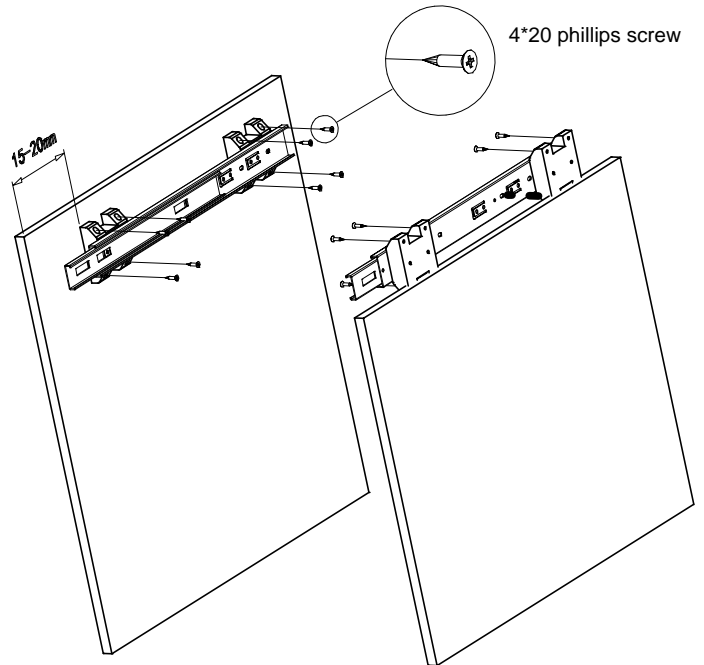
- ◆ TÜV Certificate
- ◆ SGS Certificate
- ◆ APICS Certificate

# Pull Out Wardrobe Shoes Rack -- EA Series

WARDROBE ACCESSORIES >> SHOES RACK >> INSTALLATION INSTRUCTIONS

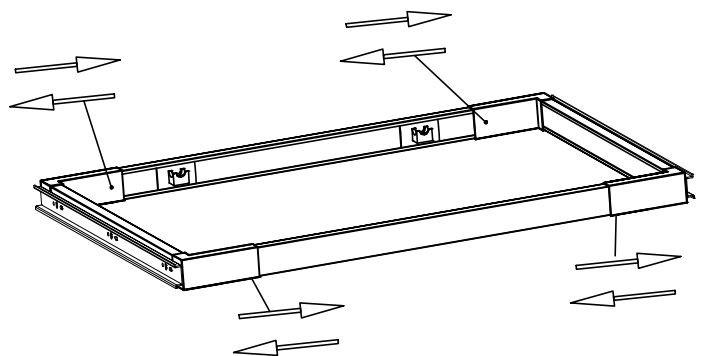
## STEP. 1

Mark installation position to ensure the following assembly aligned, and fasten both slides with screws. Keep 15~20mm distance between the outer base spacer and the front edge of wardrobe board. Shown as the figure.



## STEP. 2

Assemble below frame (already with inner slides and rods on) together with outer slides already fixed in the wardrobe until the width suits the wardrobe very well. Shown as the figure.

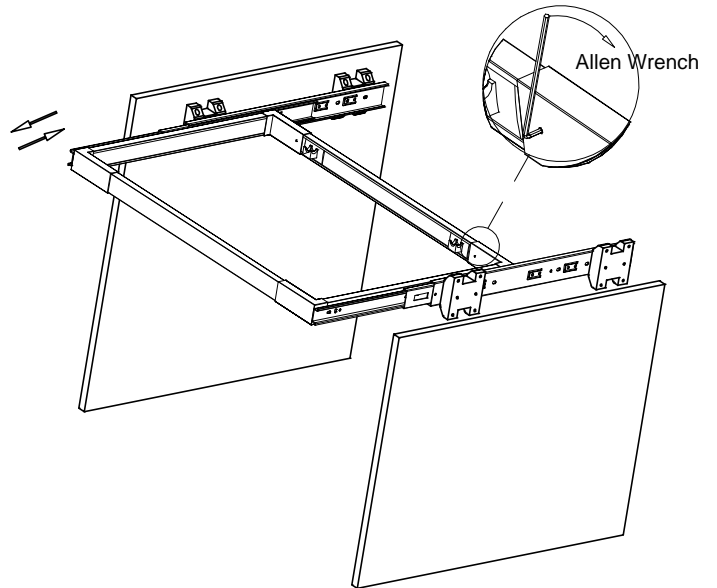


# Pull Out Wardrobe Shoes Rack -- EA Series

WARDROBE ACCESSORIES >> SHOES RACK >> INSTALLATION INSTRUCTIONS

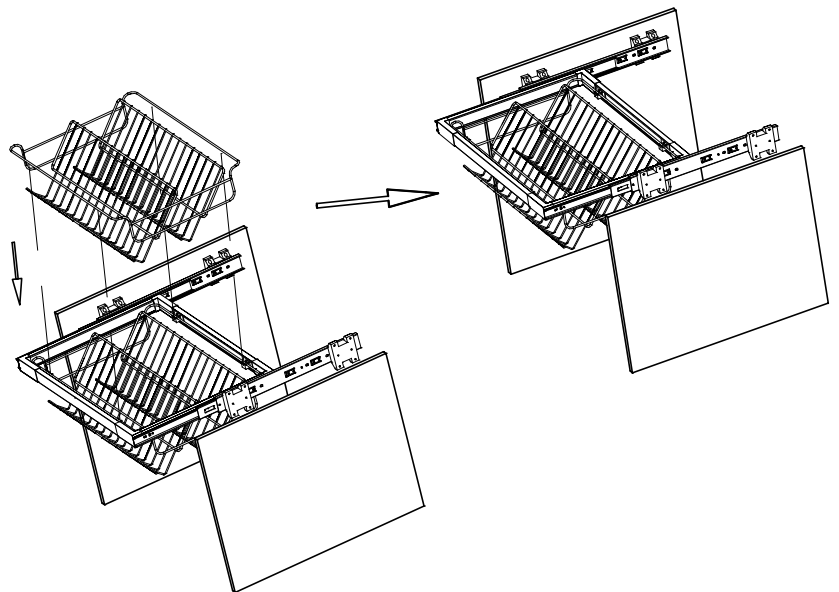
## STEP. 3

After Step 2, pull the item forth and back for trial, then fasten the corner spacer with hexagon screws and done. Shown as the figure.



## STEP. 4

Embed the shoes rack shown as below figure, then done. Shown as the figure.



**BETTER VENACE, ELEGANT LIFE**

[www.venace.com](http://www.venace.com)

- ◆ Factory Supply
- ◆ Rapid Shipment
- ◆ Reasonable Price
- ◆ TÜV Certificate
- ◆ SGS Certificate
- ◆ APICS Certificate