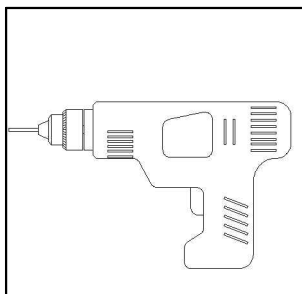


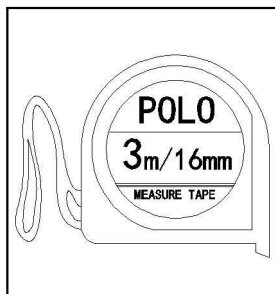
# Adjustable Pull Out Trouser Rack – IT

WARDROBE ACCESSORIES >>TROUSERS RACK >>INSTALLATION INSTRUCTIONS

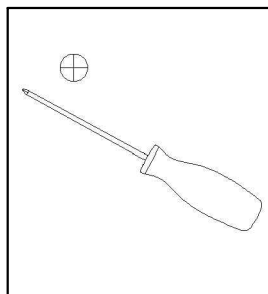
## PREPARATION



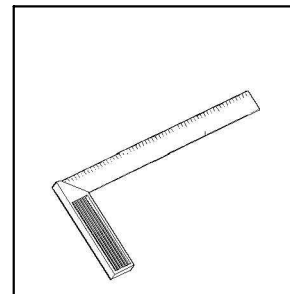
ELECTRIC DRILL



TAPE



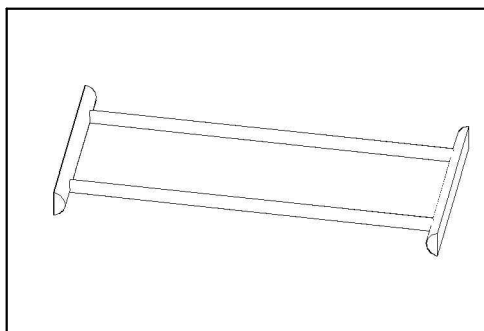
PHILLIPS DRIVER



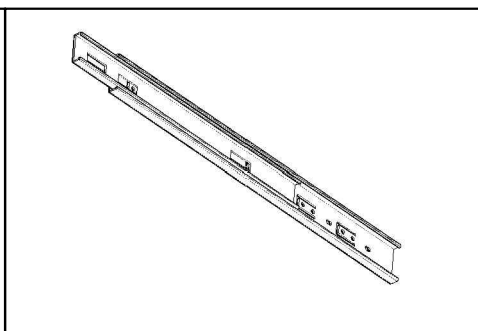
SQUARE

◆ Please prepare the above tools before installation.

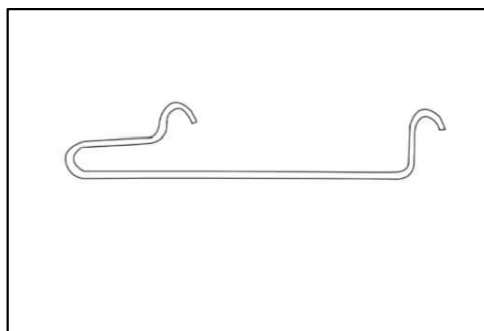
## MATERIALS



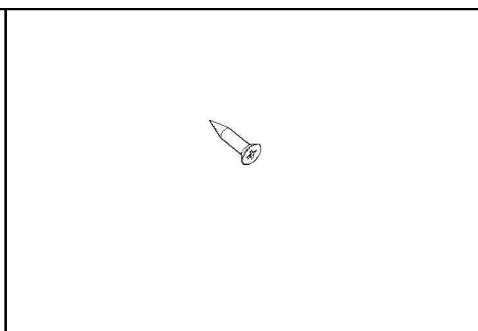
① Frame (1 set , with lid)



② Slide (1 set)



③ Trousers Rod (10 pcs)



④ Screw (6 pcs)



BETTER VENACE, ELEGANT LIFE

[www.venace.com](http://www.venace.com)

- ◆ Factory Supply
- ◆ Rapid Shipment
- ◆ Reasonable Price

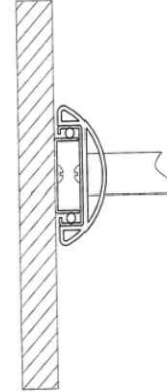
- ◆ TÜV Certificate
- ◆ SGS Certificate
- ◆ APICS Certificate

# Adjustable Pull Out Trousers Rack – IT

WARDROBE ACCESSORIES >>TROUSERS RACK >>INSTALLATION INSTRUCTIONS

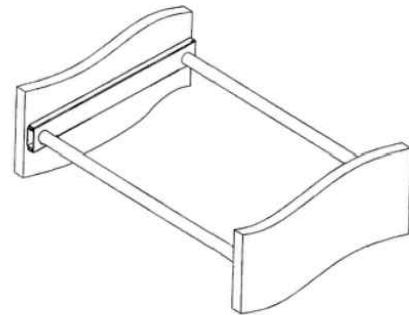
## STEP. 1

Install the lead rails onto the wardrobe.



## STEP. 2

Install the frame with the lead rails.



## STEP. 3

Set the trousers rods on the frame.

